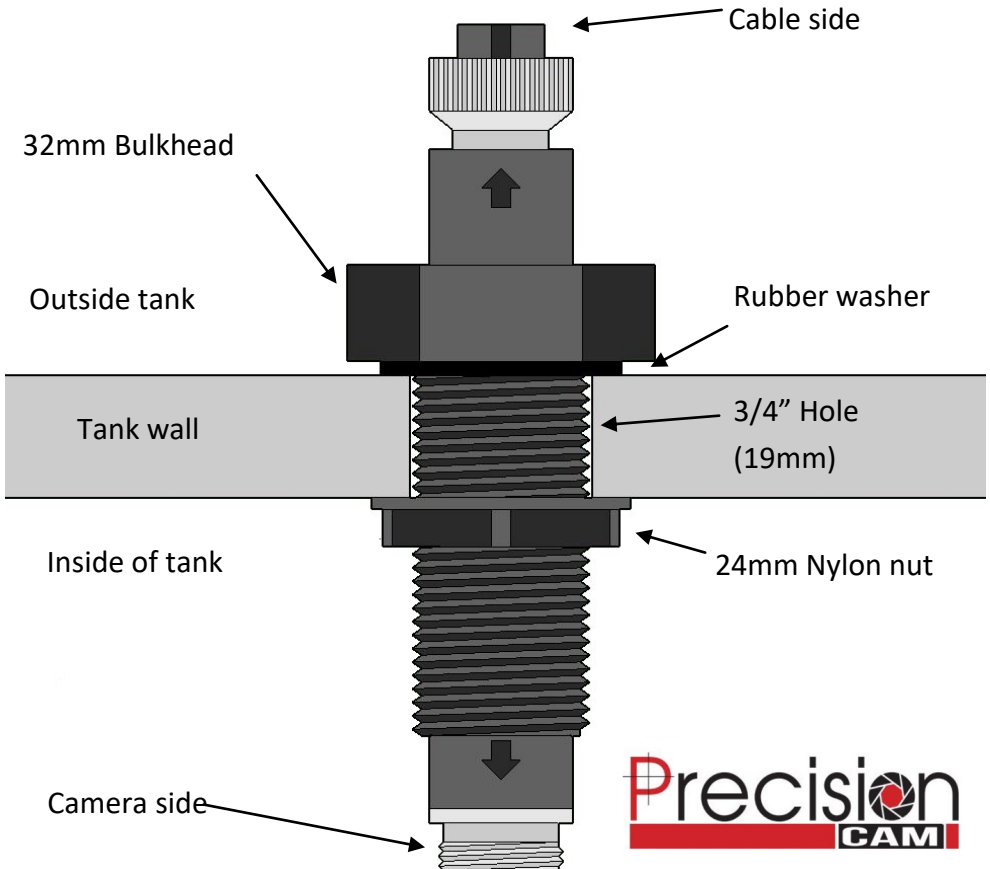


INSTALLING THE UNIVERSAL AIR SEEDER TANK PLUG

1. Drill a precise 3/4" (19mm) hole in the wall of the tank. If the hole is bigger than 3/4" the rubber washer will not be able to make a good seal. Make sure to De-burr or clean up the hole before mounting the plug.
2. Insert the plug through the hole from the outside of the tank, with the bulk-head and rubber washer on the outside, and the threaded portion of the tank plug inside. (see diagram below) Use a small bead of regular silicone sealant on the outside of the plug if your hole is not perfectly round or slightly oversized.
3. Thread on the nylon nut with the flanged side facing toward the wall of the tank , and tighten nut until it is fairly tight. **Do not over-tighten.** When tightening the nut only rotate the nut, rotating the plug will damage the washer and it will not seal properly
4. Connect your camera cable to the inside connector, and your extension cable to the outside connector.



INSTALLING THE UNIVERSAL AIR SEEDER TANK PLUG

1. Drill a precise 3/4" (19mm) hole in the wall of the tank. If the hole is bigger than 3/4" the rubber washer will not be able to make a good seal. Make sure to De-burr or clean up the hole before mounting the plug.
2. Insert the plug through the hole from the outside of the tank, with the bulk-head and rubber washer on the outside, and the threaded portion of the tank plug inside. (see diagram below) Use a small bead of regular silicone sealant on the outside of the plug if your hole is not perfectly round or slightly oversized.
3. Thread on the nylon nut with the flanged side facing toward the wall of the tank , and tighten nut until it is fairly tight. **Do not over-tighten.** When tightening the nut only rotate the nut, rotating the plug will damage the washer and it will not seal properly
4. Connect your camera cable to the inside connector, and your extension cable to the outside connector.

